



CONSUMER & AUTOMOTIVE LINES

HEALTHCARE & DOOR HANDLES



KMR6 NG
KMR7 NG
IP67

WATERPROOF TACT SWITCHES FOR HARSH ENVIRONMENTS

The new KMR6 & KMR7 series provide a watertight solution for applications requiring high quality and functionality in harsh environments.

This improvement affects the no ground pin (NG) version now available with IP67 sealing. These switches are also resistant to vibrations which makes them ideal for markets with high requirements.

The KMR sealed version is ideal for a variety of applications including consumer, automotive, industrial and medical.

Typical applications:

Personal health monitoring system • Car door handle • Other applications



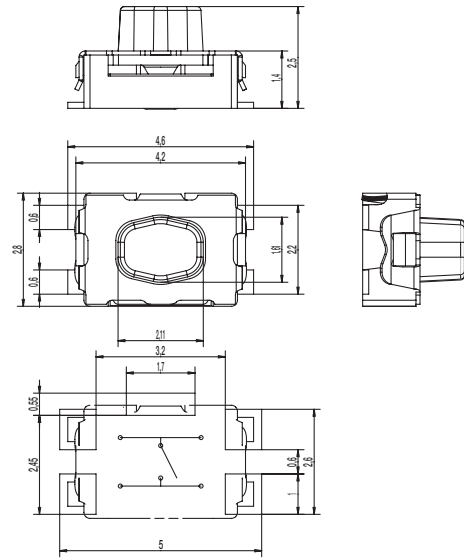
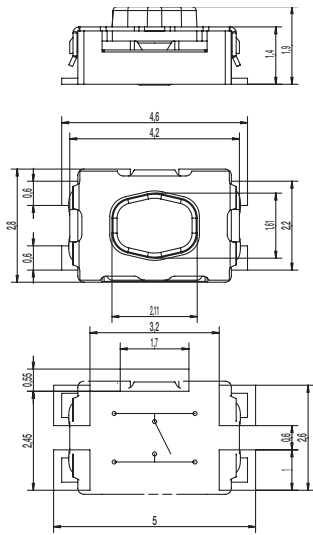


CONSUMER & AUTOMOTIVE LINES

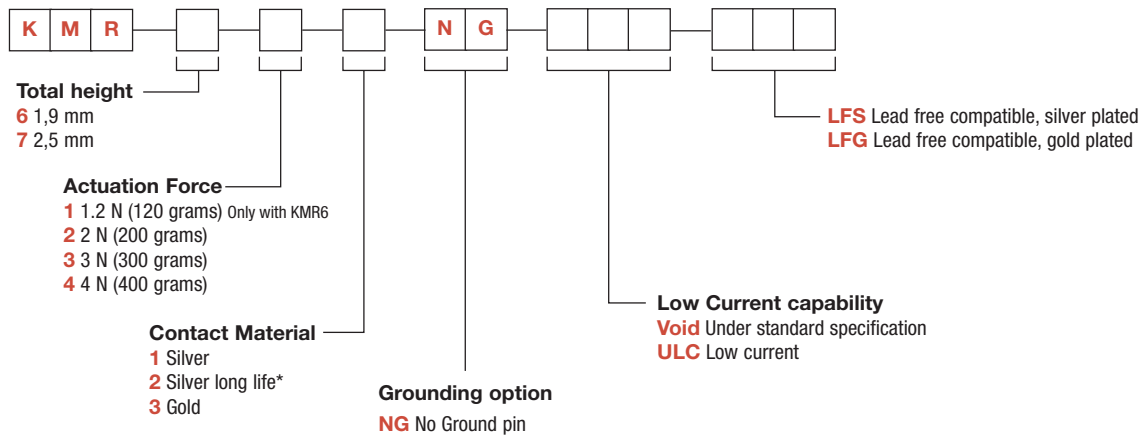
HEALTHCARE & DOOR HANDLES

KMR6 Series NG version – 1.9 mm height

KMR7 Series NG version – 2.5 mm height



KMR6	KMR7
H = 1.9 mm	H = 2.5 mm
IP67	IP67



*Silver Long Life is available in 3N and 4N actuating force. For other versions, please contact Customer Service.

For more information, please consult the KMR page at www.ck-components.com

AMERICAS

Tel: +1.617.969.3700

ASIA

Tel: +852.3713.5288

EUROPE

Tel: +33.1.60.24.51.51

